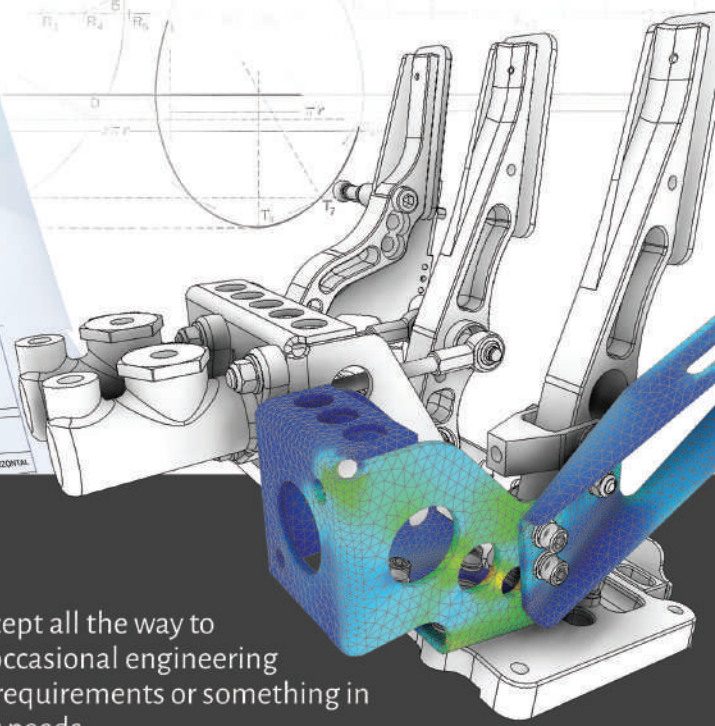
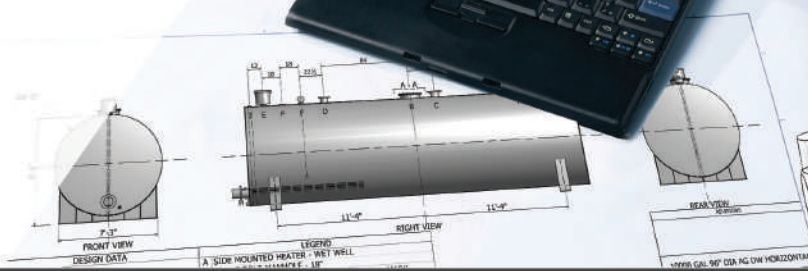




Together We
Are Successful.

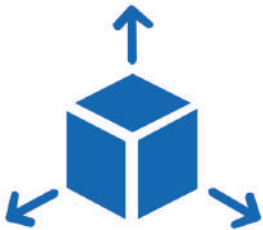
*Design Better.
Manufacture Better.*



Engineering Services

D3 Technologies provides professional engineering services from concept all the way to manufacturing. Whether you're a small manufacturer that could use occasional engineering assistance, a large company with overflow or specialized engineering requirements or something in between, our highly-skilled design engineering team can help fill your needs.

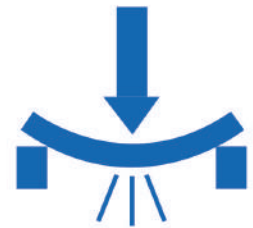
What Can **D3** Do For You?



2D AND 3D CAD



DRAWING & DETAILING



FINITE ELEMENT ANALYSIS

We provide 2D and 3D design, mechanical drawing and detailing, and 3D modeling of parts and assemblies, including finite element stress analysis.

In addition, we can consult on compliance issues with various codes and standards as well as adherence to written company specifications. D3 has experience dealing with most fabrication and building codes.

D3 services manufacturing companies of all sizes and no project is too small to consider. Our goal is to build long term relationships with our clients by offering responsive services at competitive rates. If your company has engineering and design needs, please reach out to us.



www.TeamD3.com

877-731-7171 | Serving manufacturers nationwide

